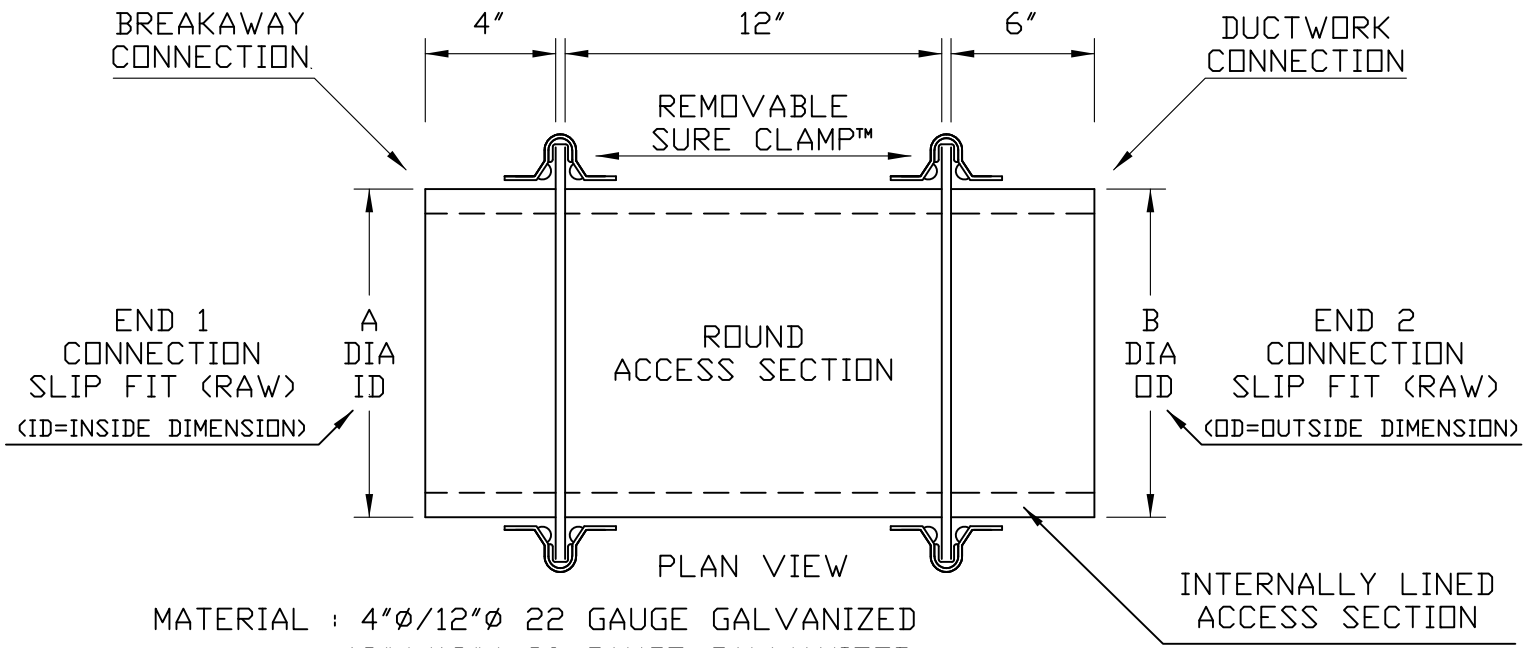


# ORDER FORM

## SURE • CLAMP™ ACCESS

(PATENTED)

SURE CLAMP™ LINED  
DETAIL



MATERIAL : 4"Ø/12"Ø 22 GAUGE GALVANIZED  
13"Ø/18"Ø 20 GAUGE GALVANIZED

FABRICATE IN ACCORDANCE WITH  
LANGDON'S DUCT CONSTRUCTION STANDARDS

MAXIMUM ACCESS SIZE 18" DIAMETER

TAG	QTY.	END 1 (A)	END 2 (B)
EXAMPLE	1	12"Ø ID	11.92"Ø OD
_____	_____	_____	_____
_____	_____	_____	_____
_____	_____	_____	_____
_____	_____	_____	_____
_____	_____	_____	_____
_____	_____	_____	_____
_____	_____	_____	_____
_____	_____	_____	_____

[www.langdonsheetmetal.com](http://www.langdonsheetmetal.com)