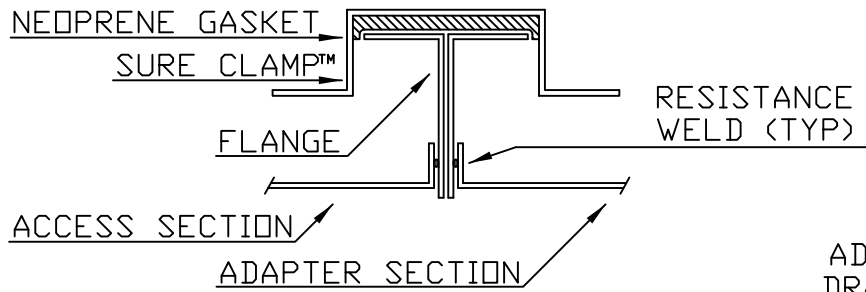
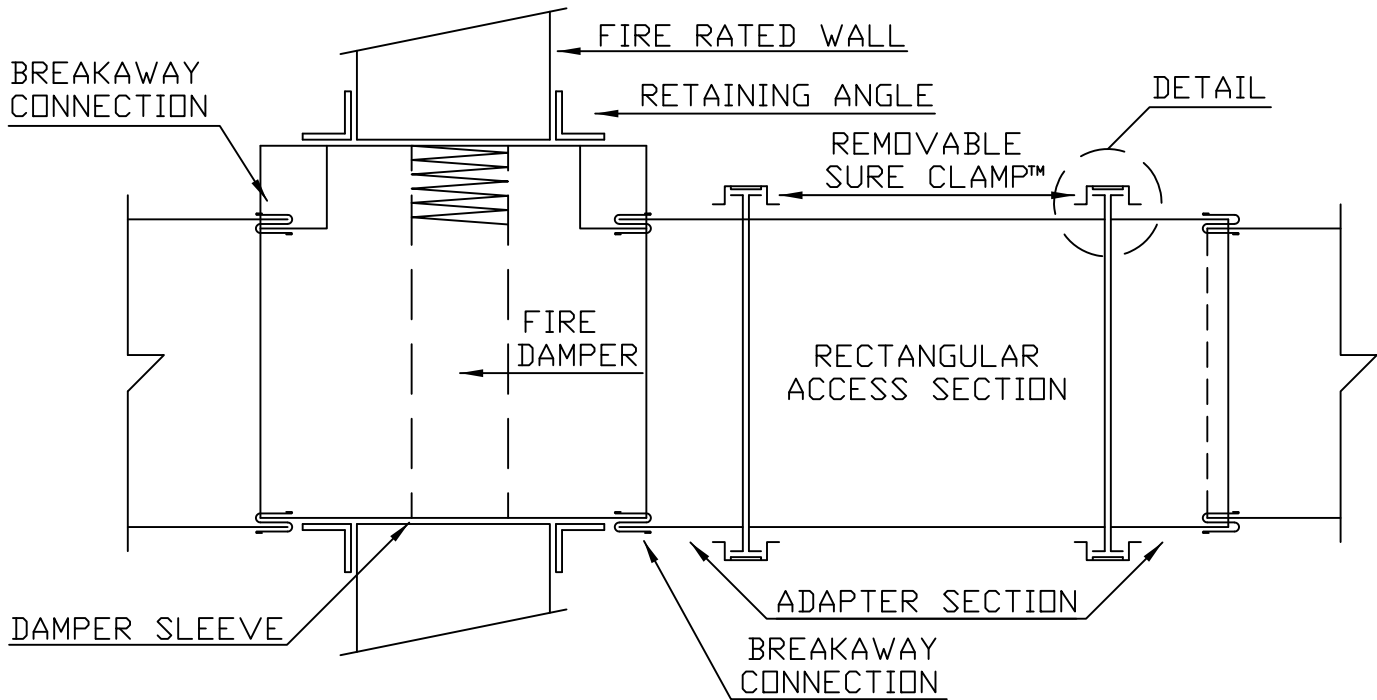
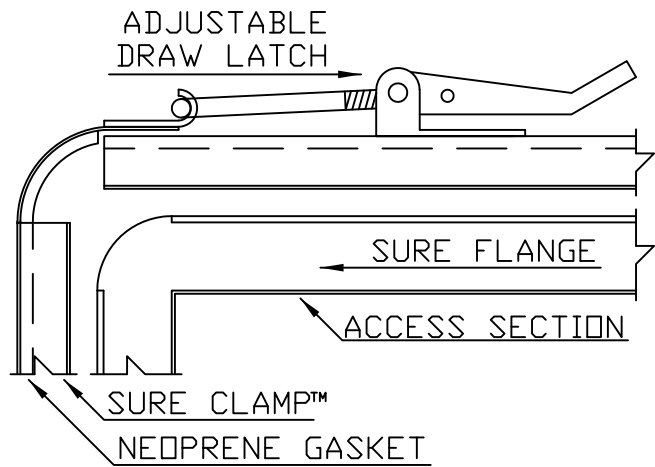


SURE • CLAMP™ ACCESS (PATENTED)

SURE CLAMP™ UNLINED
DETAIL



SURE CLAMP™
FLANGE DETAIL



SURE CLAMP™
ADJUSTABLE DRAW LATCH
DETAIL

www.langdonsheetmetal.com

Langdon, Inc. 9865 Wayne Avenue, Cincinnati, Ohio, 45215 Ph. 513-733-5955 Fax. 513-733-8050
The above mentioned product, is protected by patents and trade marks
All Rights Reserved updated 12/8/17