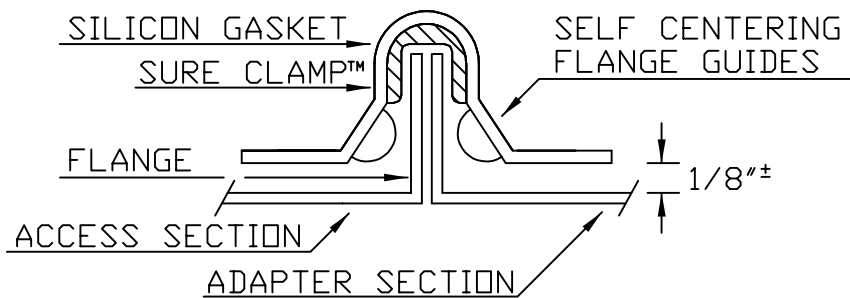
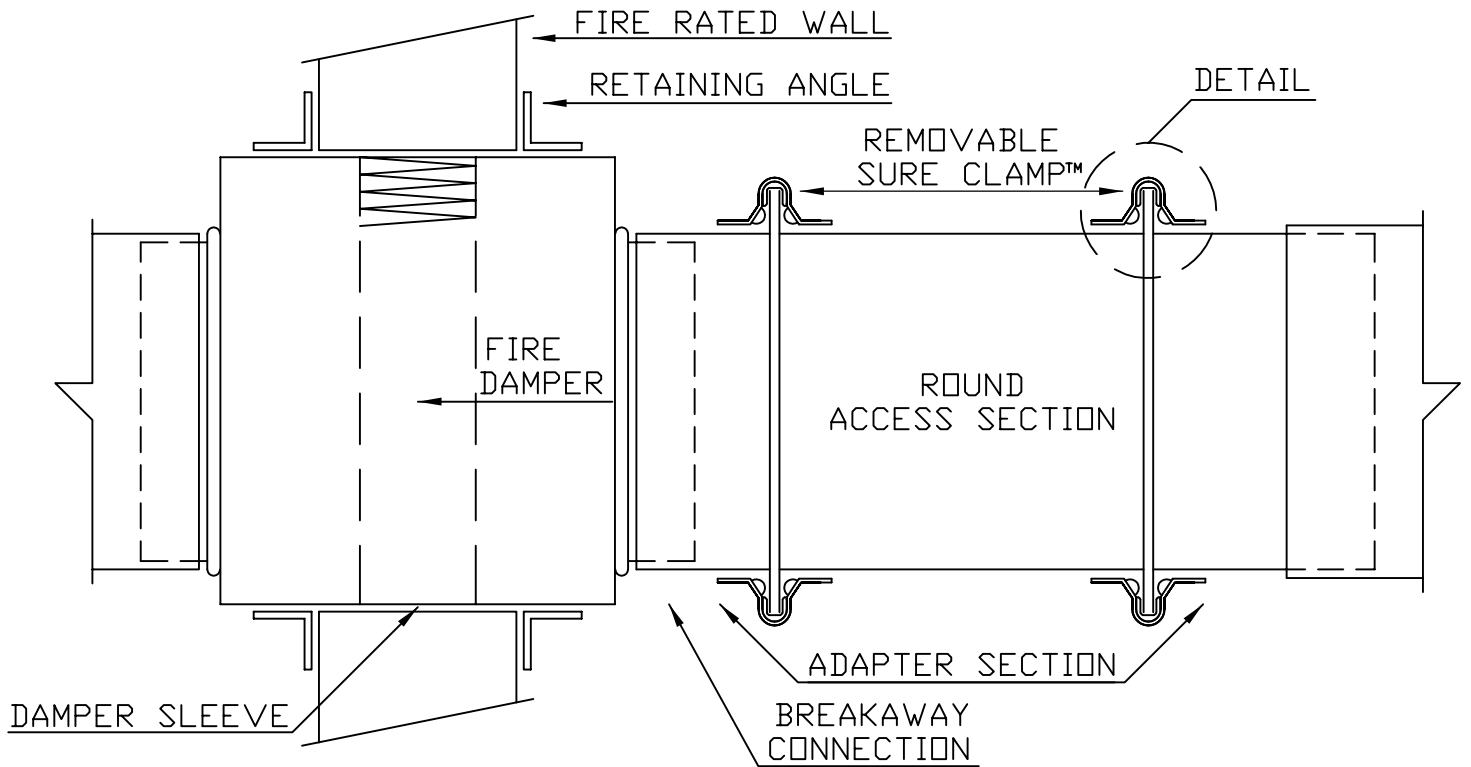
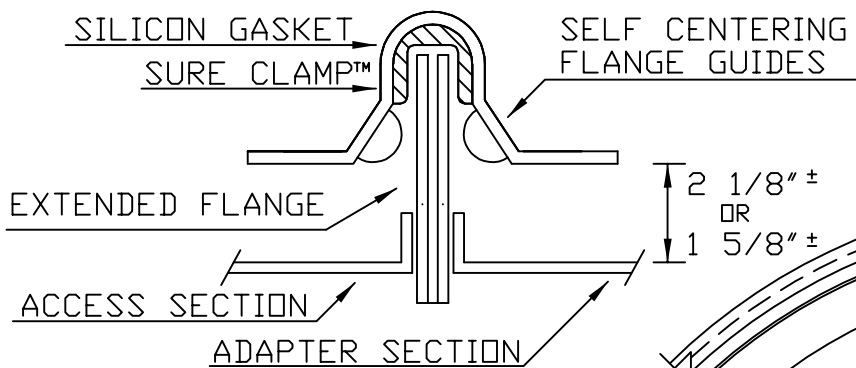


SURE • CLAMP™ ACCESS (PATENTED)

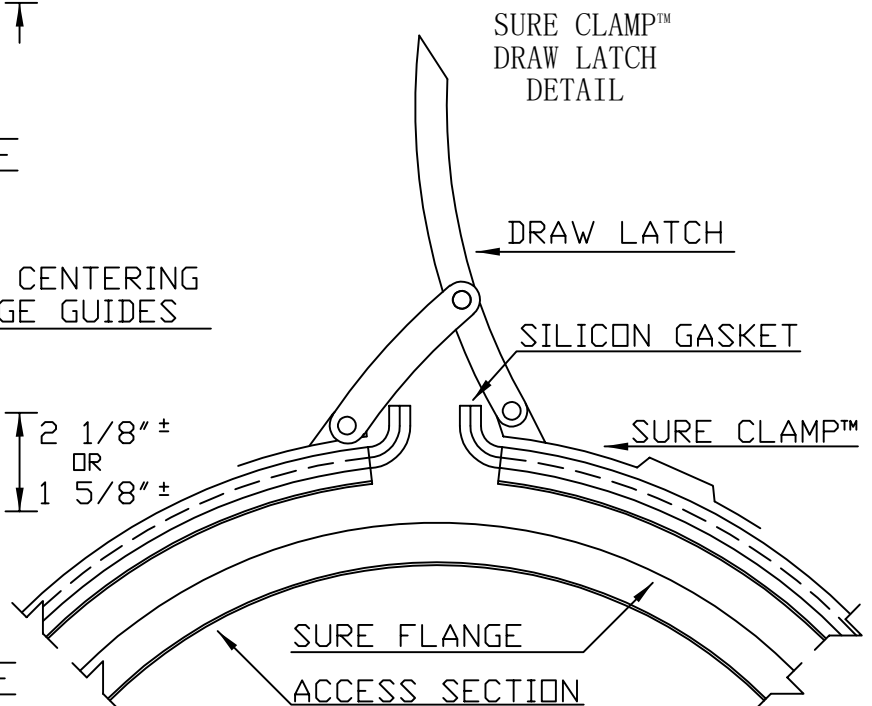
SURE CLAMP™ UNLINED
DETAIL



STANDARD FLANGE



EXTENDED FLANGE



www.langdonsheetmetal.com

Cincinnati, Ohio, 45215
The above mentioned product, is protected by patents and trade marks
All Rights Reserved updated 12/8/17