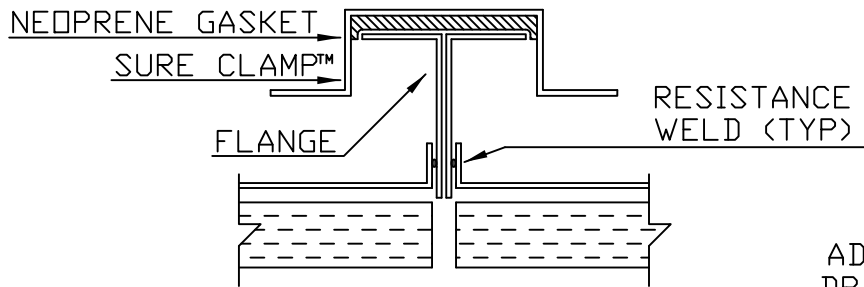
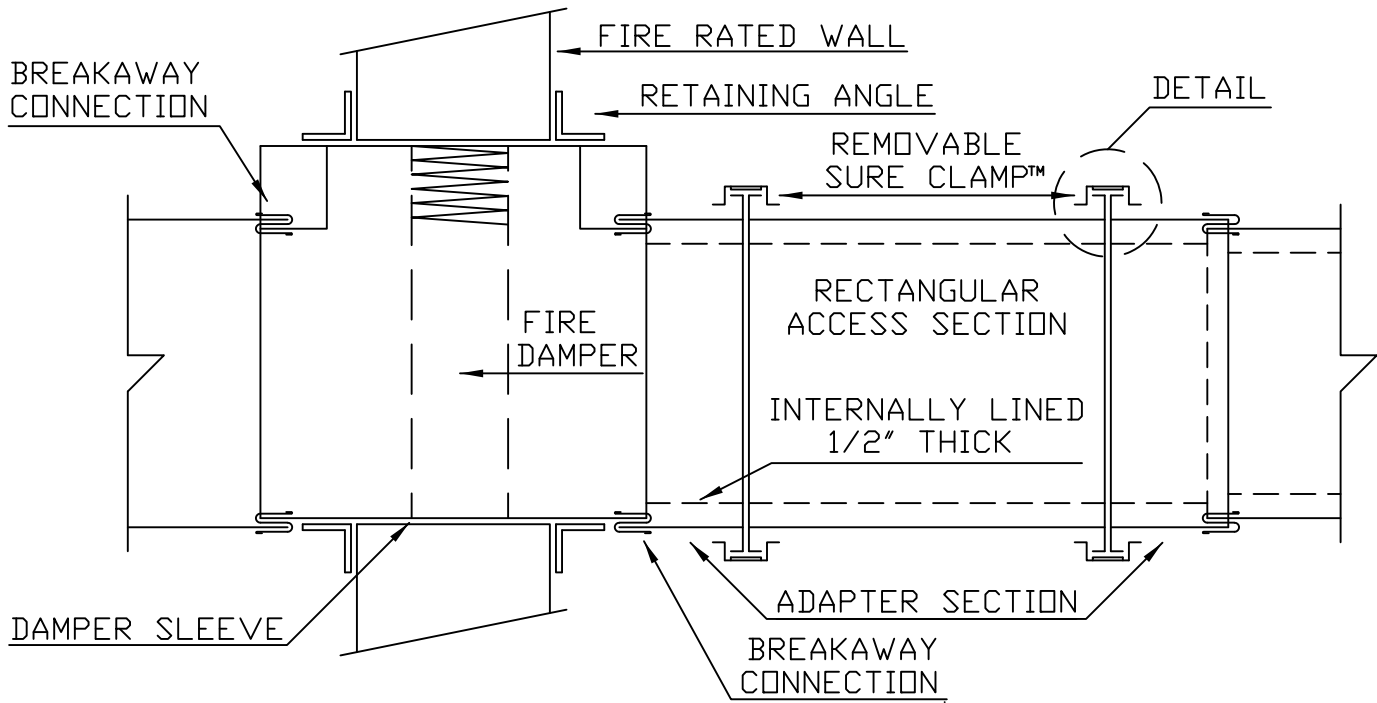


Sure-Clamp Access
Rectangular: Lined
SPECIFICATIONS

- A. **General Description:** The removable ductwork section features a clamp connection for easy installation and removal. The gasket clamps ensures a secure and tight connection, reducing air leakage and improving overall system performance. When it's time for fire damper inspection the ductwork section can be easily removed and replace without the need for specialized tools, this designed is practical, efficient and takes 50% less time to make mandatory fire damper inspections.
- B. **Allowable Leakage:** 1/2 CFM per 100 square ft. of ductwork surface area.
- C. **Size:** 18" X 18" maximum ductwork size
- D. **Material:** Galvanized ASTM A527
- E. **Liner:** 1/2" Thick
- F. **Flange Connection:** 18 GA galvanized sheet metal construction.
- G. **Seams:** Lap and spot weld on 2" interval
- H. **Access Section:** Minimum 26 Gauge galvanized ASTM A527 12" long
- I. **Clamps:** 20 gauge galvanized with zinc coated draw latch. Gasket profile forms to the inside of clamp and seals the outer edges of the ductwork flange.
- J. **Gasket:** Neoprene gasket 3/16" X 1-1/4"
- K. **Seal Seams:** In accordance with SMACNA HVAC Duct Construction Standard - Metal and Flexible.
- L. **Installation:** The removable access section shall not be more than 4" away from the fire damper sleeve break away connection. Installing contractor to provide manufacturer with quantity and size for fabrication.
- M. **Manufacturer:** Langdon, Inc.
9865 Wayne Avenue
Cincinnati, Ohio 45215
Phone (513) 733-5955

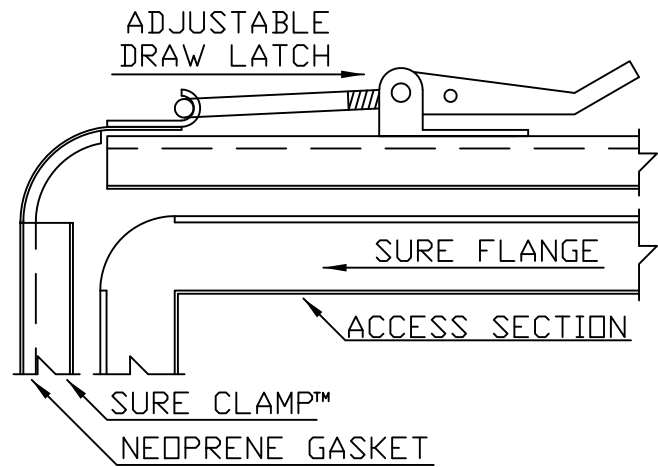
SURE • CLAMP™ ACCESS (PATENTED)

SURE CLAMP™ LINED
DETAIL



INTERNALLY LINED
1/2" THICK
ACCESS SECTION

INTERNALLY LINED
1/2" THICK
ADAPTER SECTION



SURE CLAMP™
ADJUSTABLE DRAW LATCH
DETAIL

www.langdonsheetmetal.com

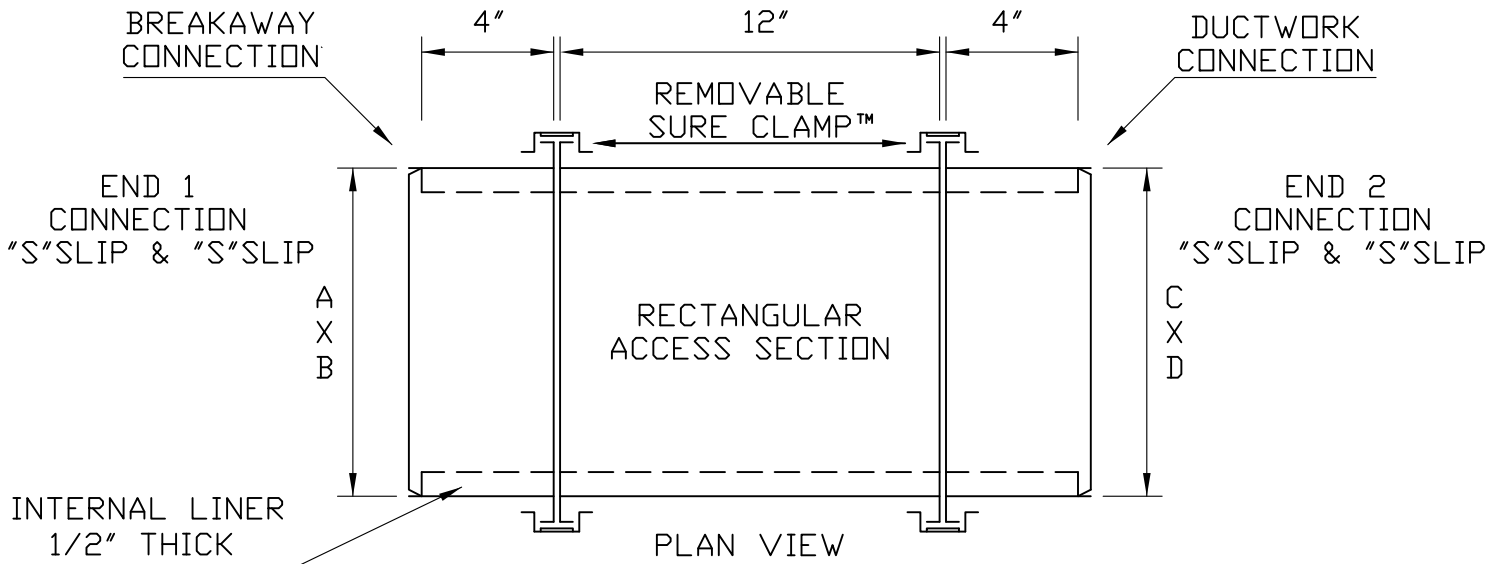
Langdon, Inc. 9865 Wayne Avenue. Cincinnati, Ohio. 45215 Ph. 513-733-5955 Fax. 513-733-8050
The above mentioned product, is protected by patents and trade marks
All Rights Reserved updated 4/19/2023

ORDER FORM

SURE • CLAMP ACCESS

(PATENTED)

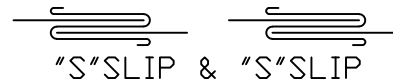
SURE CLAMP™ LINED
DETAIL



MATERIAL : 26 GAUGE GALVANIZED

FABRICATE IN ACCORDANCE WITH
LANGDON'S DUCT CONSTRUCTION STANDARDS

MAXIMUM ACCESS SIZE 18" X 18"



TAG	QTY.	END 1		END 2		LINER
		(A)	(B)	(C)	(D)	
EXAMPLE	1	12" X 8"		12" X 8"		1/2" THICK
_____	_____	X		X		_____
_____	_____	X		X		_____
_____	_____	X		X		_____
_____	_____	X		X		_____
_____	_____	X		X		_____
_____	_____	X		X		_____
_____	_____	X		X		_____
_____	_____	X		X		_____

www.langdonsheetmetal.com