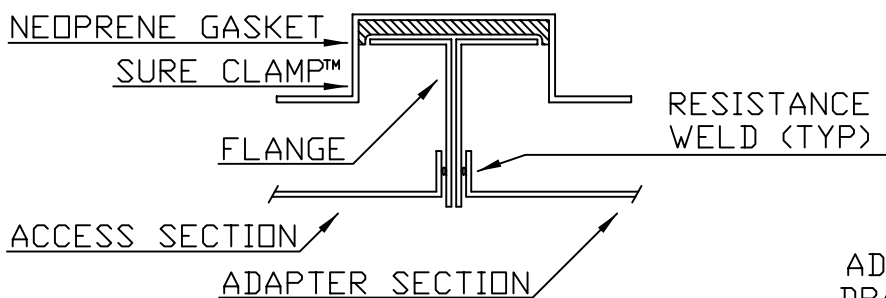
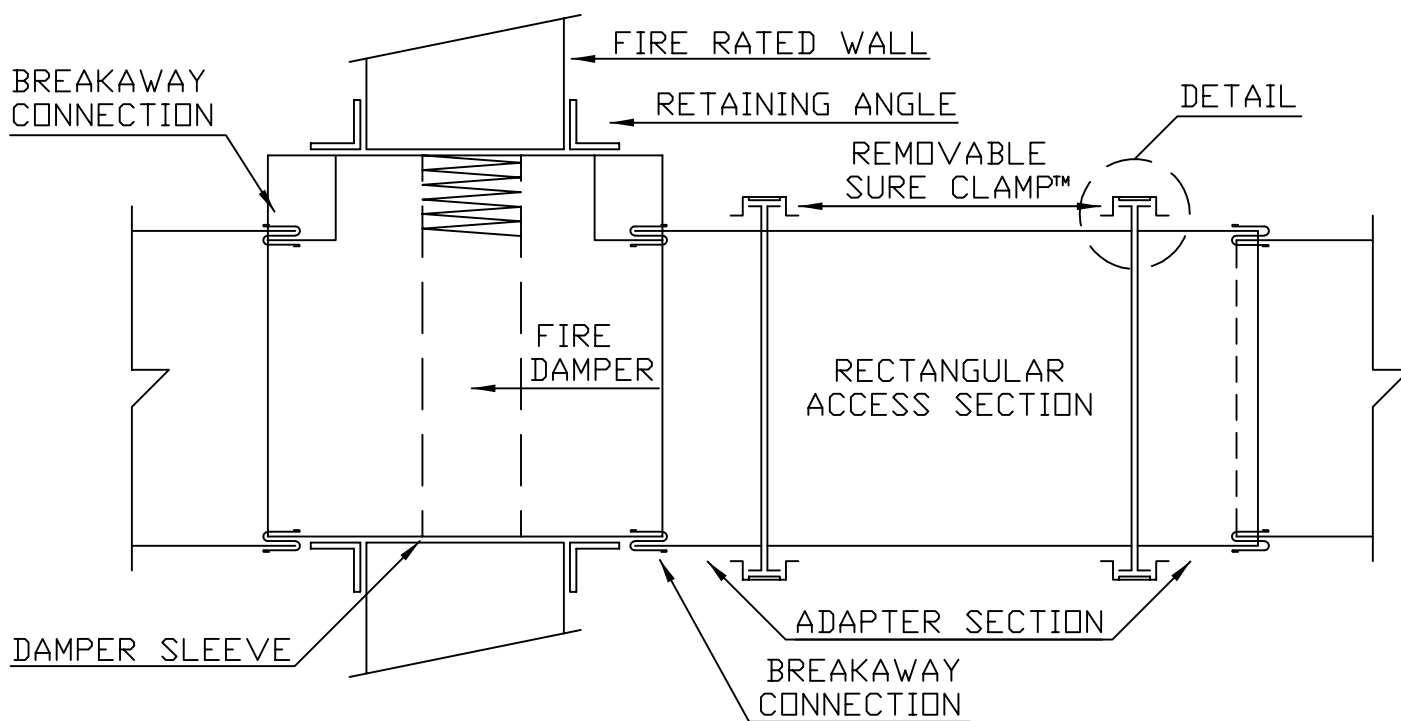


Sure-Clamp Access
Rectangular: Unlined
SPECIFICATIONS

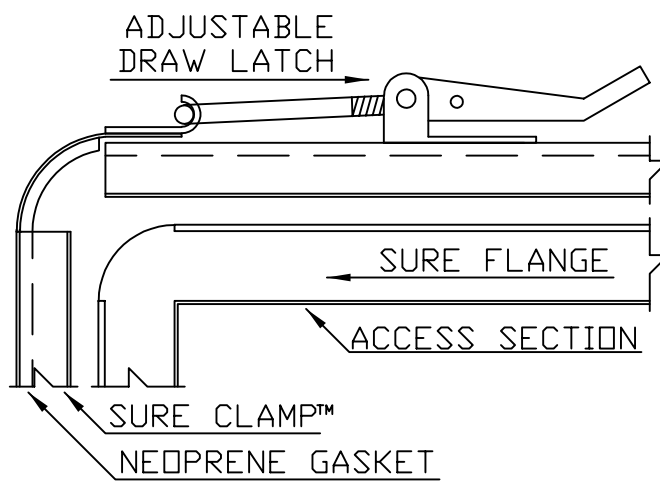
- A. **General Description:** The removable ductwork section features a clamp connection for easy installation and removal. The gasket clamps ensures a secure and tight connection, reducing air leakage and improving overall system performance. When it's time for fire damper inspection the ductwork section can be easily removed and replace without the need for specialized tools, this designed is practical, efficient and takes 50% less time to make mandatory fire damper inspections.
- B. **Allowable Leakage:** 1/2 CFM per 100 square ft. of ductwork surface area.
- C. **Size:** 18" X 18" maximum ductwork size
- D. **Material:** Galvanized ASTM A527
- E. **Liner:** N/A
- F. **Flange Connection:** 18 GA galvanized sheet metal construction.
- G. **Seams:** Lap and spot weld on 2" interval
- H. **Access Section:** Minimum 26 Gauge galvanized ASTM A527 12" long
- I. **Clamps:** 20 gauge galvanized with zinc coated draw latch. Gasket profile forms to the inside of clamp and seals the outer edges of the ductwork flange.
- J. **Gasket:** Neoprene gasket 3/16" X 1-1/4"
- K. **Seal Seams:** In accordance with SMACNA HVAC Duct Construction Standard - Metal and Flexible.
- L. **Installation:** The removable access section shall not be more than 4" away from the fire damper sleeve break away connection. Installing contractor to provide manufacturer with quantity and size for fabrication.
- M. **Manufacturer:** Langdon, Inc.
9865 Wayne Avenue
Cincinnati, Ohio 45215
Phone (513) 733-5955

SURE • CLAMP™ ACCESS (PATENTED)

SURE CLAMP™ UNLINED
DETAIL



SURE CLAMP™
FLANGE DETAIL



SURE CLAMP™
ADJUSTABLE DRAW LATCH
DETAIL

www.langdonsheetmetal.com

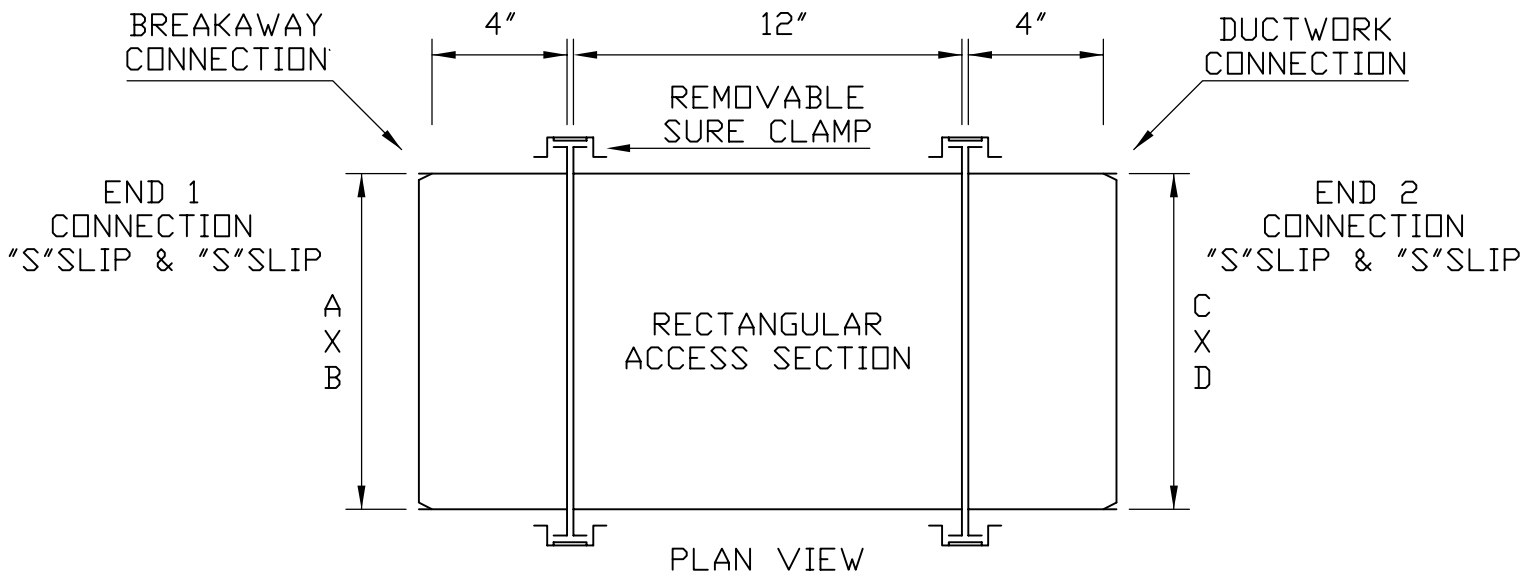
Langdon, Inc. 9865 Wayne Avenue, Cincinnati, Ohio, 45215 Ph. 513-733-5955 Fax. 513-733-8050
The above mentioned product, is protected by patents and trade marks
All Rights Reserved updated 12/8/17

ORDER FORM

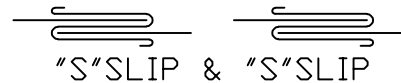
SURE • CLAMP ACCESS

(PATENTED)

SURE CLAMP™ UNLINED
DETAIL



MATERIAL : 26 GAUGE GALVANIZED
 FABRICATE IN ACCORDANCE WITH
 LANGDON'S DUCT CONSTRUCTION STANDARDS
 MAXIMUM ACCESS SIZE 18" X 18"



| TAG | QTY. | END 1 | | END 2 | |
|---------|-------|-------|-----|-------|-----|
| | | (A) | (B) | (C) | (D) |
| EXAMPLE | 1 | 12" | 8" | 12" | 8" |
| _____ | _____ | | X | | X |
| _____ | _____ | | X | | X |
| _____ | _____ | | X | | X |
| _____ | _____ | | X | | X |
| _____ | _____ | | X | | X |
| _____ | _____ | | X | | X |
| _____ | _____ | | X | | X |
| _____ | _____ | | X | | X |
| _____ | _____ | | X | | X |

www.langdonsheetmetal.com